



torquUp

FITTING IN

WHERE OTHERS DON'T

TX SLIMLINE RATCHET LINK

SL

TX SERIES SLIMLINE LINKS FIT INTO THE FUTURE



TECHNICAL DATA TX-4

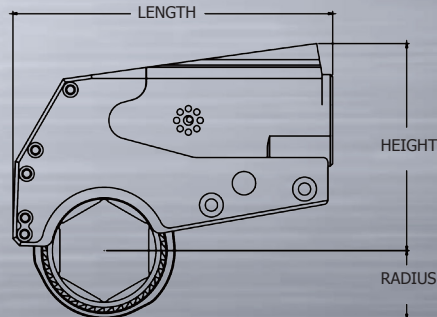
MIN TORQUE (ft/lbs)	395
MAX TORQUE (ft/lbs)	3300
MIN TORQUE (nm)	535
MAX TORQUE (nm)	4470
OUTPUT ACCURACY	+/-3%
REPEATABILITY	100%
DUTY CYCLE	100%
CYLINDER WEIGHT (lbs)	6.0
CYLINDER WEIGHT (kgs)	2.7
LINK WEIGHT FROM (lbs)	5.1
LINK WEIGHT FROM (kgs)	2.3
LINK WEIGHT TO (lbs)	7.1
LINK WEIGHT TO (kgs)	3.2



DIMENSIONAL DATA TX-4

POWER ENGINEERED

Hex Range (in)	Hex Range (mm)	Length (in)	Length (mm)	Height (in)	Height (mm)	Width 1 (in)	Width 1 (mm)	Width 2 (in)	Width 2 (mm)	Radius (in)	Radius (mm)
1-1 5/8	27-41	8.51	216.15	5.57	141.48	1.63	41.40	0.88	22.35	1.43	36.32
1 11/16-1 13/16	42-46	8.51	216.15	5.57	141.48	1.63	41.40	0.88	22.35	1.53	38.86
1 7/8-2	47-50	8.51	216.15	5.57	141.48	1.63	41.40	0.88	22.35	1.67	42.42
2 1/16-2 3/16	51-55	8.51	216.15	5.57	141.48	1.63	41.40	0.88	22.35	1.78	45.21
2 1/4-2 3/8	56-60	8.58	217.93	5.57	141.48	1.63	41.40	0.88	22.35	1.90	48.26
2 7/16-2 9/16	61-65	8.69	220.73	5.57	141.48	1.63	41.40	0.88	22.35	2.00	50.80
2 5/8-2 3/4	66-70	8.76	222.50	6.01	152.65	1.63	41.40	0.88	22.35	2.11	53.59
2 13/16-2 15/16	71-75	8.86	225.04	6.01	152.65	1.63	41.40	0.88	22.35	2.24	56.90
3-3 1/8	76-80	8.94	227.08	6.01	152.65	1.63	41.40	0.88	22.35	2.35	59.69



WWW.TORCUP.COM

TorcUP Inc. 1025 Conroy Place Easton, PA. 18040 USA 1-888-TorcUP-1 +1 610-250-5800

www.torcup.com sales@torcup.com

Catalog 2017

TorcUP products are subject to continual development and TorcUP reserves the right to make changes to the specifications and design of their products without prior notice. All rights are reserved. Reproduction in whole or in part without permission of TorcUP Inc. is prohibited.