



*torcui*  
**GEARING UP FOR  
THE REVOLUTION**

**RP PNEUMATIC TORQUE WRENCH**

# RP

## PNEUMATIC TORQUE WRENCH

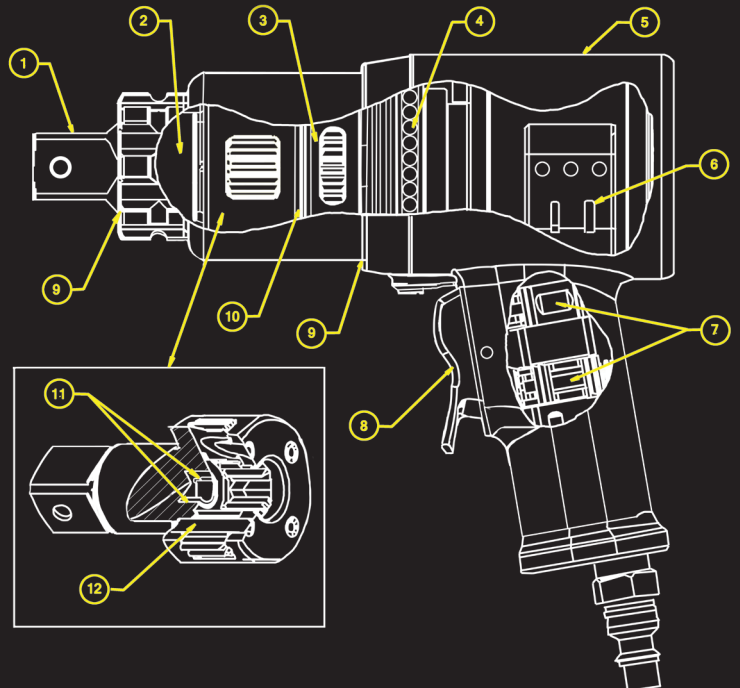
### THE WRENCH WITH BALANCE

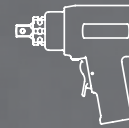
REDESIGNING THE GEAR. OPTIMIZING THE MATERIALS. PERFECTING THE FIT. THAT WAS OUR OBJECTIVE! THE RESULT IS A PNEUMATIC WRENCH THAT IS OPTIMIZED DOWN TO THE FINEST DETAIL. THE BACKBONE OF ANY PNEUMATIC TORQUE WRENCH IS ITS GEARS. THE GEARS THAT ARE THE DRIVING FORCE BEHIND THE RP SERIES ARE DESIGNED WITH AN INCREASED DURABILITY FACTOR. THE FULL LINE OF RAPTORS HAVE ENDURED MORE ABUSE FROM LONG TERM TESTING THAN THESE TOOLS WILL EVER EXPERIENCE IN THE FIELD. IF YOU REQUIRE A PNEUMATIC TORQUE WRENCH THAT WILL BE THERE FOR YOU ON THE JOB, LOOK NO FURTHER THAN THE TORCUP RAPTOR!



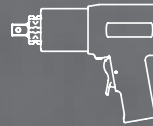
### THE POWER INSIDE

1. HARDENED ALLOY STEEL FOR DURABILITY AND LONG CYCLE LIFE
2. BEARINGS SUPPORT THE LOADS EXPERIENCED AT THE SQUARE DRIVE
3. MULTI-STAGE PLANETARY GEAR SYSTEMS WITH OPTIMIZED TOOTH DESIGN
4. SMOOTH BALL BEARING ROTATION OF THE GEARBOX HOUSING INDEPENDENT FROM THE MOTOR HANDLE
5. LIGHTWEIGHT ALUMINUM HANDLE WITH DURABLE, SLIP-RESISTANT TEXTURED COATING
6. ULTRA-EFFICIENT AIR MOTOR DESIGNED FOR EASY MAINTENANCE
7. CARTRIDGE-STYLE VALVES PROVIDE EASY REPLACEMENT
8. ONE FINGER TRIGGER CONTROL FOR FORWARD AND REVERSE
9. O-RINGS SEAL GREASE IN WHILE KEEPING WATER AND DIRT OUT
10. THRUST BEARING BETWEEN STAGES ISOLATE THE MOTOR WHEN USED IN ALL ORIENTATIONS
11. GEARS RUN ON LOW FRICTION, HIGH STRENGTH BEARING SLEEVES
12. TOOL STEEL PINS IN EACH STAGE CARRIER





RP-500 **SINGLE SPEED**  
 TORQUE RANGE 78-530 FT/LBS  
 FREE SPEED 16.5-44 RPM



RP-1000 **SINGLE SPEED**  
 TORQUE RANGE 148-1030 FT/LBS  
 FREE SPEED 7-15 RPM



RP-2000 **SINGLE SPEED**  
 TORQUE RANGE 231-2015 FT/LBS  
 FREE SPEED 3.5-9 RPM



RP-3000 **SINGLE SPEED**  
 TORQUE RANGE 484-3070 FT/LBS  
 FREE SPEED 1.75-4 RPM

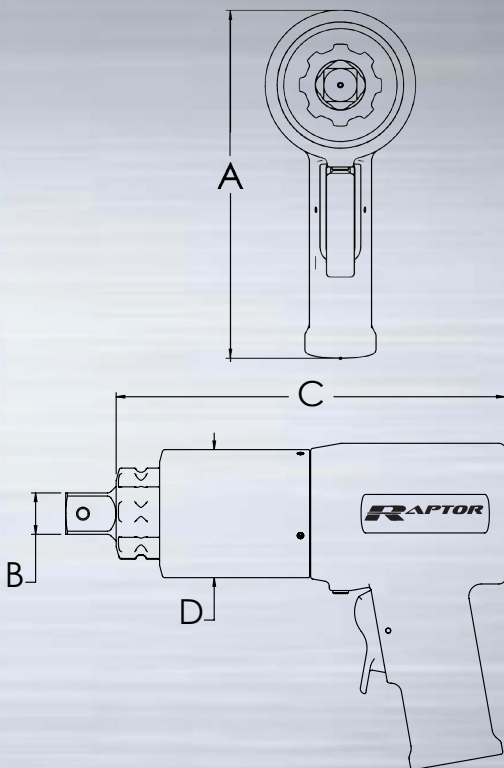


RP-6000 **SINGLE SPEED**  
 TORQUE RANGE 714-5990 FT/LBS  
 FREE SPEED 1.25-3 RPM

Requirements: Air Pressure 10-90 psi - Flow 45-55 CFM

[WWW.TORCUP.COM](http://WWW.TORCUP.COM)

## POWER ENGINEERED



MODEL NUMBER	RP-500	RP-1000	RP-2000	RP-3000	RP-6000
SQUARE DRIVE	3/4"	1"	1"	1"	1 1/2"
MIN. TORQUE (ft/lbs)	78	148	231	484	714
MAX. TORQUE (ft/lbs)	530	1030	2015	3070	5990
MIN. TORQUE (nm)	106	201	313	656	968
MAX. TORQUE (nm)	719	1396	2732	4162	8121
HEIGHT A (in)	7.89"	7.89"	7.89"	8.06"	8.69"
HEIGHT A (mm)	200.4	200.4	200.4	204.7	220.7
SQUARE DRIVE B (in)	0.75"	1"	1"	1"	1.5"
SQUARE DRIVE B (mm)	19.05	25.4	25.4	25.4	38.1
LENGTH C (in)	6.80"	8.87"	9.40"	10.62"	12.32"
LENGTH C (mm)	172.7	225.3	238.8	269.7	312.9
DIAMETER D (in)	2.56"	2.85"	3.09"	3.75"	5.00"
DIAMETER D (mm)	65.0	72.4	78.5	95.3	127.0
WEIGHT (lbs) w/o arm	9	12	16	20	36
WEIGHT (kg) w/o arm	4.1	5.4	7.3	9.1	16.3
PERFORMANCE DATA					
RPM @ 10 psi	16.5	7	3.5	1.75	1.25
RPM @ MAX psi	44	15	9	4	3
TOOL MAX psi	80	70	90	65	90



# RP SERIES PNEUMATIC TORQUE WRENCH

**SPEED** - WE REVOLUTIONIZE THROUGH EFFICIENCY!  
**WEIGHT** - WE CUT WEIGHT WITHOUT SACRIFICING DURABILITY!  
**STRENGTH** - WE KNOW HOW TO MAKE ALLOYS PERFORM!

SLIDING STRAIGHT REACTION ARM



STRAIGHT REACTION ARM



LONG EXTENDED REACTION ARM



NOSE EXTENSION



F/R/L UNIT



MULTI POSITION HANDLE



## RP-F/R/L

### Control torque output

Air pressure measured with PSI/ BAR liquid filled gauge

Adjustable lubricator for proper "Air Tool Oil" drip.

Ergonomic F/R/L frame in safety yellow with hose storage.

### Dimensions:

Width 9" Height 12" Length 12"  
 Weight 12.0 lbs / 5.4 kg

CARRYING CASE



### Worldwide Headquarters

1025 Conroy Place

Easton, PA 18040 USA

TOLL FREE: 1-888-TorcUP-1

TELEPHONE: 1-610-250-5800

FAX: 1-610-250-2700

[www.torcup.com](http://www.torcup.com)

