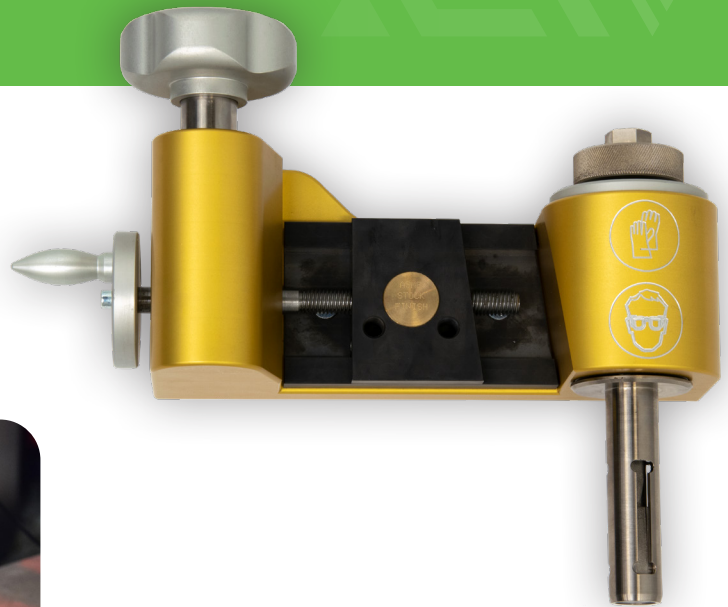


Technical Data

MiniFacer ONE

The Sygma™ MiniFacer ONE is the flagship model of the MiniFacer series as it was the first manual driven tool to face different types and diameters of flanges on the market.



Operational Data

	Min	Max
Internal Clamp Capacity	Ø 25mm Ø 1"	Ø 252mm Ø 10"
Facing Diameter	Ø 30mm Ø 1,25"	Ø 350mm Ø 14"

Dimensional Data

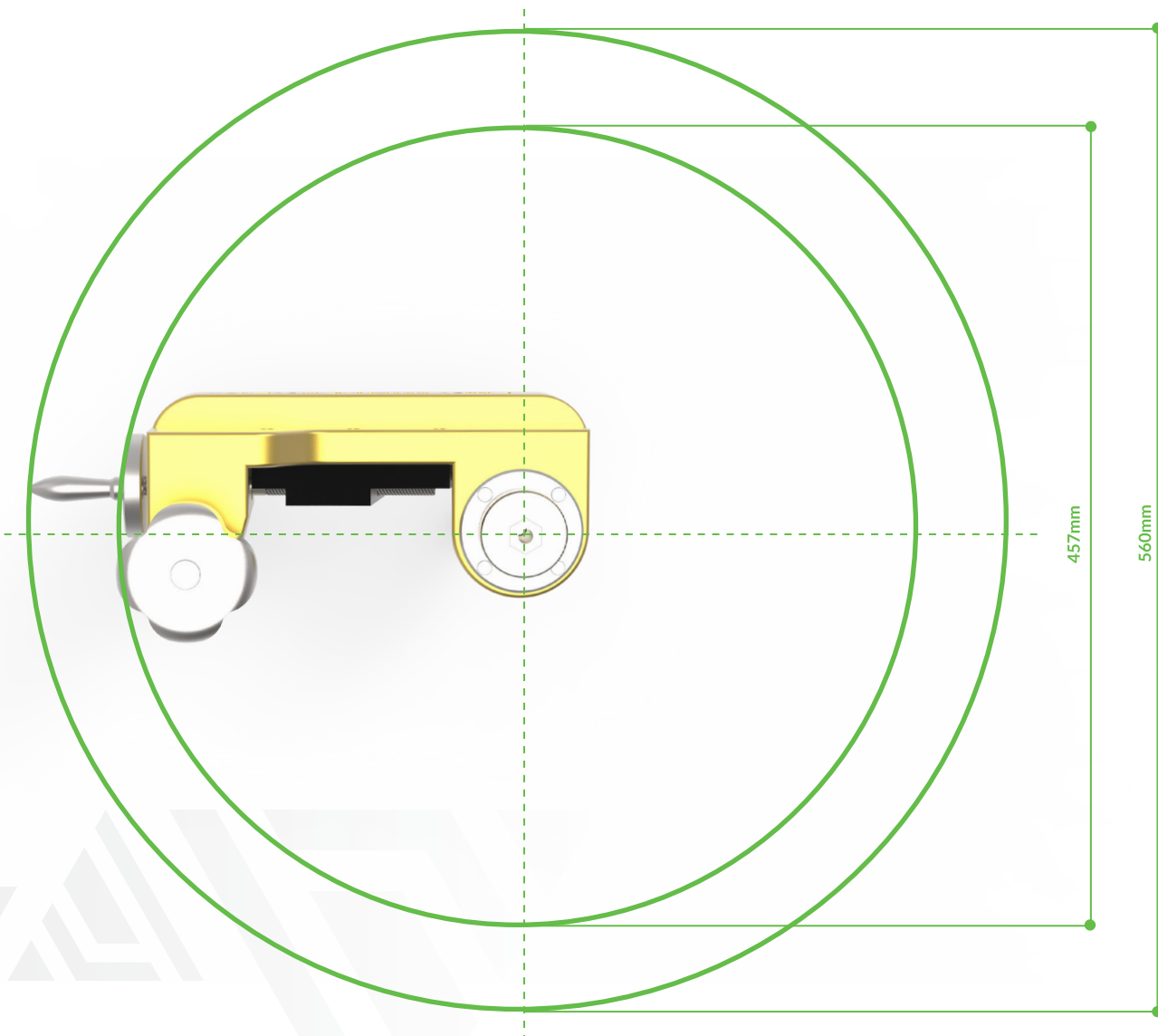
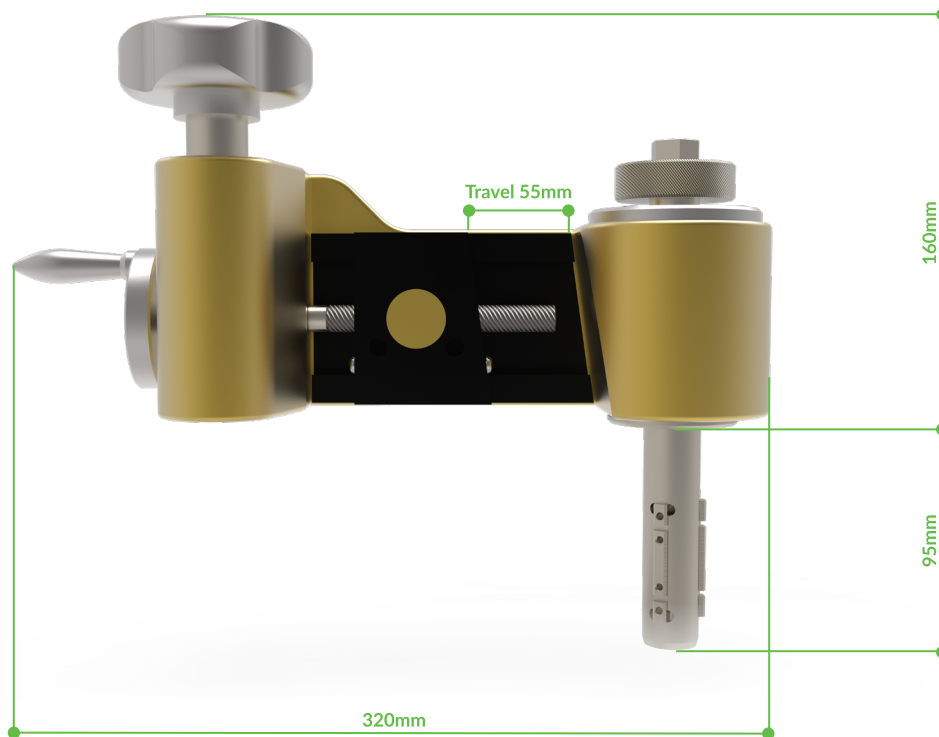
Case Dimensions	55 x 45 x 21 cm
Total Case Weight	15kg
MiniFacer Weight (ready to use)	7kg
Overall Length Machine	340mm / 13,5"
Height from Flange Face	200mm / 8"
Min. Swing Diameter	Ø 460mm / 18"

Completed With:

- ✔ Toolkit
- ✔ Mounting Clamps
- ✔ Case
- ✔ CE Certificate
- ✔ Screws
- ✔ Manual



Dimensional Data



Case Content



1. LMC MiniFacer Tool

2. 1 set of double sided cutting tips

3. Spanner 10mm

4. Spanner 19mm

5. Plastic box with bolts and springs

6. Slide chart

7. Allen Key 8

8. Allen Key 2

9. Complete set of clamping gibs

10. Plastic hammer

11. Toolpost

12. Cutting tool extended left

13. Cutting tool neutral

14. Cutting tool extended right

15. Spindle smooth finish